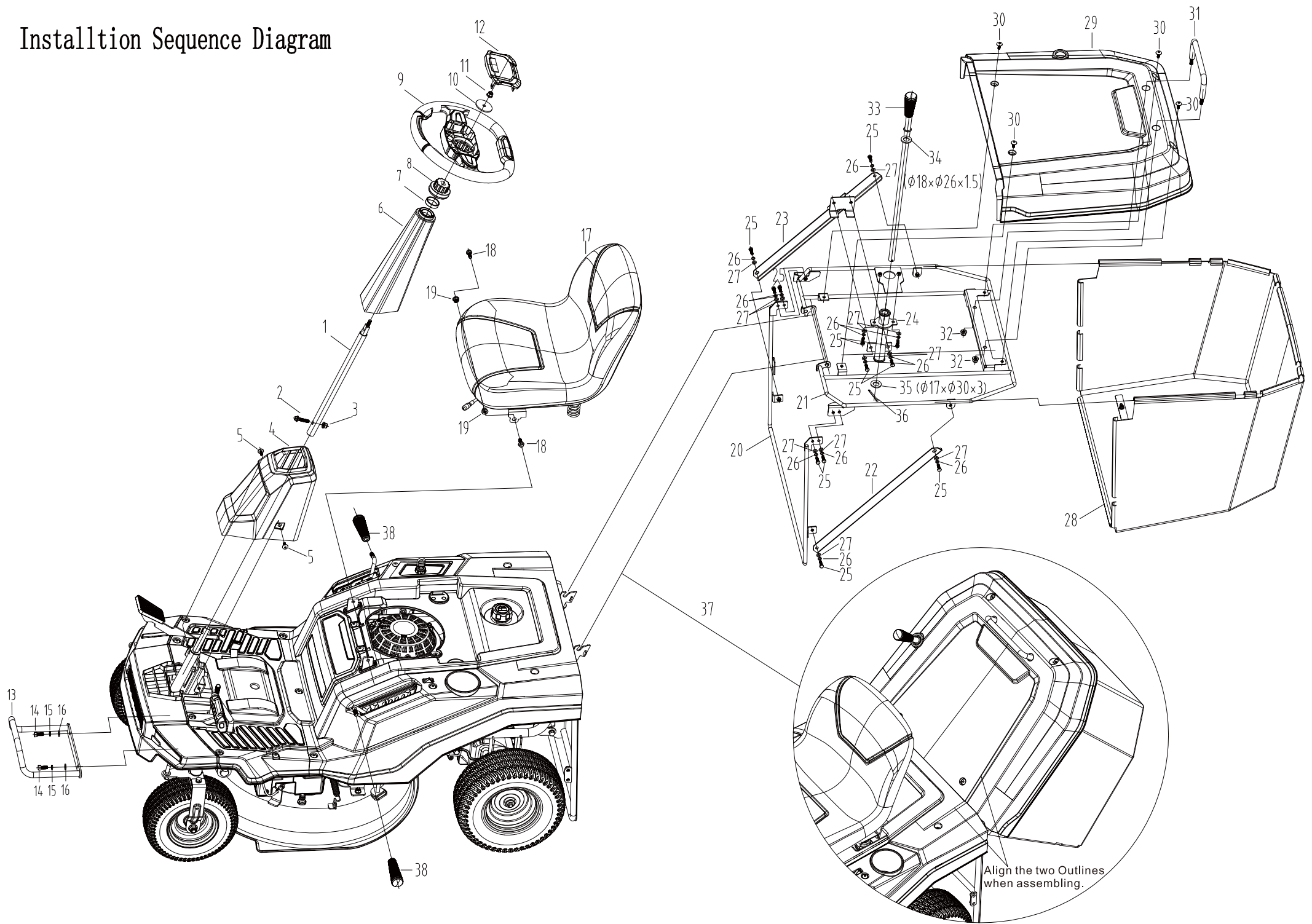


Installtion Sequence Diagram



Align the two Outlines when assembling.